

## Wall Mounted Height Adjustable

### Nursing/Change Table - Electric (334)

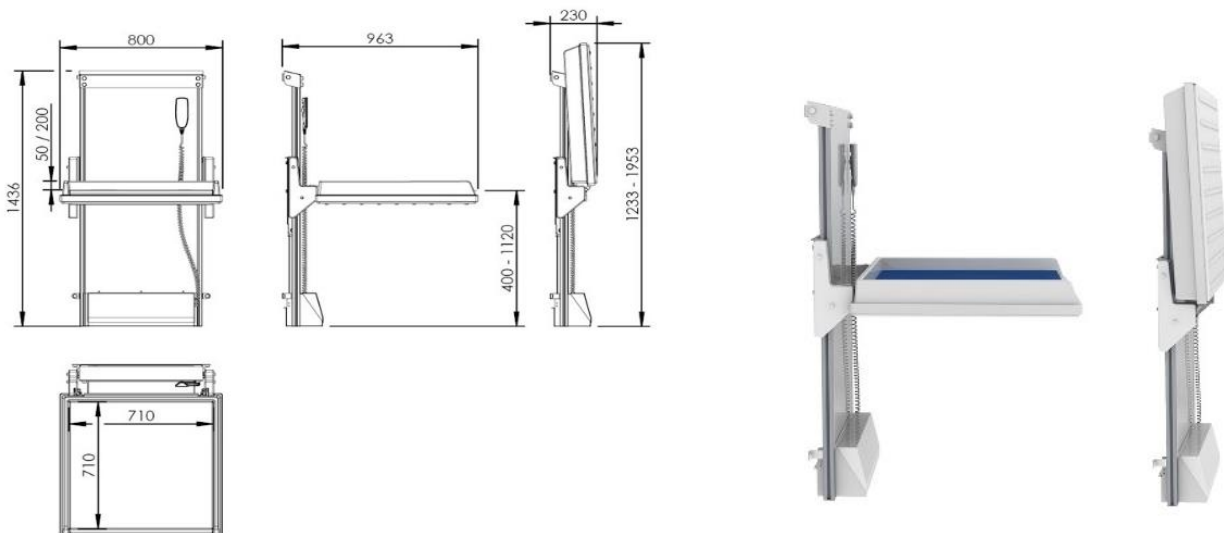


- 334 Nursing/change table is **wall** mounted and can be **lowered** to the floor to simplify transfer for children.
- The table can then be **raised** to a comfortable working height by means of the push-button cord control. Movement can be stopped at chosen height.
- It can be folded against the wall when not in use to save space.
- Built-in safety switch is located on underside of nursing table and when pressed or if it meets resistance the lift will stop.



## Specifications

- Height adjustment 400mm - 1120mm
- Height of stand overall 1440mm
- Height of stand overall when table is in up position 1233mm – 1953mm
- Depth overall when table is in down position 963mm
- Depth overall when table is in up position 230mm
- Width overall of nursing table 800mm with mattress
- Maximum load 50 kg
- Wall mounted to make cleaning easier
- Electric operation – voltage 230/240 V DC
- Easy-to-use corded hand control
- Mattress included and dimensions 710 x 710 x 30mm
- Border height 50mm
- Foldable table area can be in up position when not in use
- Built-in safety switch which is located on underside of table



*334-Nursing table is height adjustable to meet suitable & safe ergonomic working height, helping to prevent injuries*

*334-Nursing table is used to assist & simplify transfer of children when lowered, making it easier & safer*

*334-Nursing table is adjustable with hand corded control, has safety switch underneath table, allowing for easy & safe operation*

*334-Nursing table is motorised, height adjustable, wall mounted & folds up against the wall when not in use*