

# Wardrobe Lift – Butler (722)

Height Adjustable - ELECTRIC operation



*Up position*



*Down position*

## Wardrobe Lift – Butler (722)

Our versatile electric height adjustable wardrobe lift is fitted into fixed/built-in wardrobes.

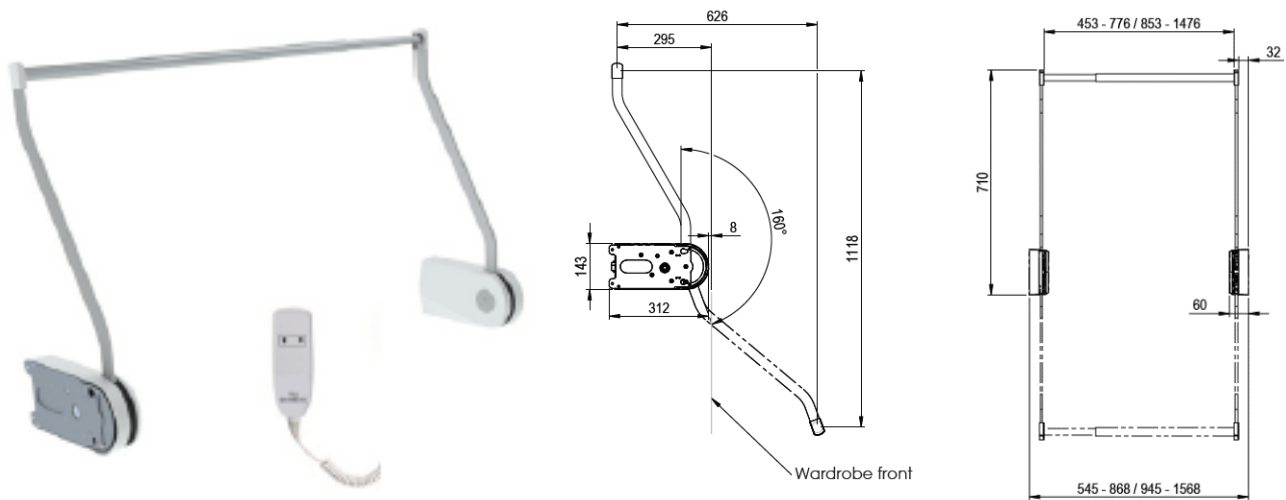
The NEW Butler 722 lowers the clothes rail down and out to the front of the wardrobe at the **touch of a button** via a corded hand control. The clothes rail is installed in the **upper section** of wardrobe to **maximise** space and the lower section can be utilised for other storage.

Used for **standing** or seated position to assist people with various physical abilities (including children), people living with disability or suffering from conditions such as arthritis, neck or shoulder injuries.

**Easy and safe to use**, clothes can be accessed within a comfortable reach, helping to minimise potential risk of injury from climbing ladders or steps.

Promotes **functionality, safety, participation and independence**.

### Measurements: Butler 722



### Specifications: Butler 722

Max load 30kg

Operation - Corded Hand Control

Adjustable 111.8 cm downwards and 62.6cm outward

Dimensions of motors - Height 14.3cm, Length - 31.2cm, Depth - 6.0cm

Electric - 240V/50-60Hz

**Fits cabinet width - 60cm to 90cm and Cabinet internal width – 54.5cm to 86.8cm**

**OR**

**Fits cabinet width - 100cm to 160cm and Cabinet internal width – 94.5cm to 156.8cm**