

Wardrobe Lift – Butler (720)

Height Adjustable - ELECTRIC operation



Wardrobe Lift – Butler (720)

Height Adjustable - ELECTRIC operation

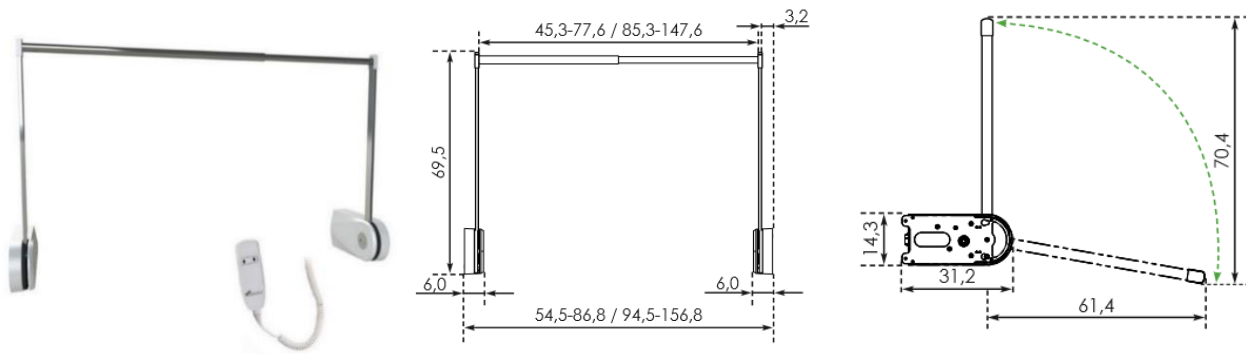
Our versatile electric height adjustable wardrobe lift is fitted into fixed/built-in wardrobes. It lowers the clothes rail down and out to the front of the wardrobe at the **touch of a button** via a corded hand control.

Used in a **seated or standing** position to assist people with various physical abilities (including children), people living with disability or suffering from conditions such as arthritis, neck or shoulder injuries.

Easy to use, clothes can be accessed within a comfortable reach in a seated or standing position, thus helping to minimise potential risk of injury via climbing steps and ladders.

Promotes safety, functionality, participation and independence.

Measurements: Butler 720



Specifications: Butler 720

Max load 30kg

Operation - Corded Hand Control

Adjustable 70.4 cm downwards and 61.4cm outward

Dimensions of motors – Height - 14.3cm, Length - 31.2cm, Depth - 6.0cm

Electric - 240V/50-60Hz

Fits cabinet width - 60cm to 90cm and Cabinet internal width – 54.5cm to 86.8cm

OR

Fits cabinet width - 100cm to 160cm and Cabinet internal width – 94.5cm to 156.8cm