

Height Adjustable Lifting Systems Accessories for Wall & Worktop Lift Systems

Adaptable Living and Working Solutions

Screen for Diago 504 Wall Lift Unit



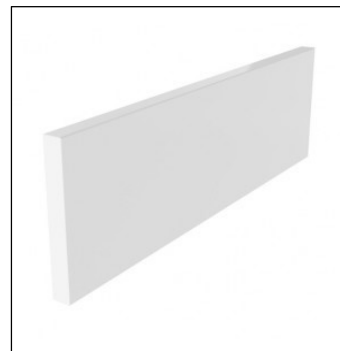
Cover plate for worktops – white only



ALU control button with safety lock



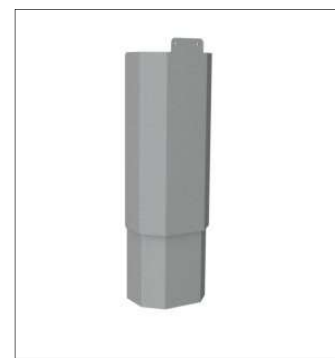
Fronts/Fascia for drawers



Fixings for cover plates



Motor hoods for worktops



Drawers for worktops with chopping boards and cutlery trays

