

TECHNICAL INFORMATION

Unilift 870



Type of lift: Universal lift that lifts up a panel from the bottom of a floor or wall cupboard

Adjustability: Motor-driven, continuously adjustable 74.5 cm upwards, 50.0 cm out from the cupboard

Speed: 3.7 cm / sec.

Operation: Corded hand control or remote control

Electrical connection: Mains plug for 230 V, max 1,5A

Max. load on panel: 20 kg

Frame height: 66.0 cm

Frame width: 34.0 cm

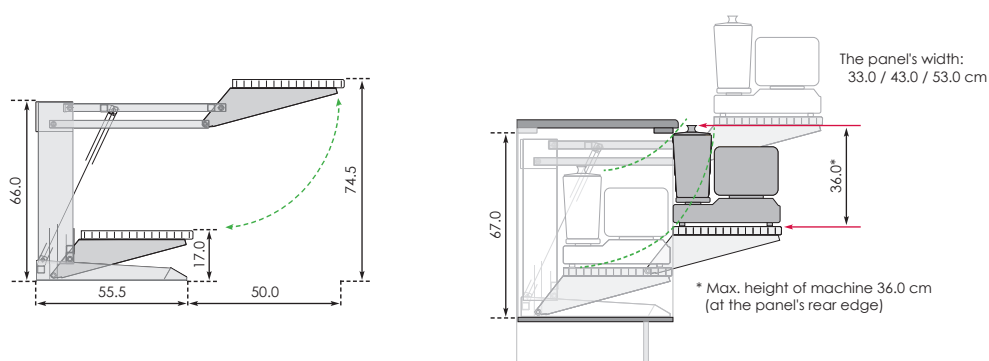
Fits cabinet width: 40.0 - 60.0 cm

Material: Powder coated sheet-metal parts (Alu-grey RAL 9006)



DIMENSIONS

(cm)





www.inclusiveliving.com.au
1300 304 330